

P.MAX

—
Automatic
throughfeed
moulders from
4 to 6 spindles



FUTURA

Maximum performance for a play-off group

FUTURA
Machines & Control
for Woodworking

The ultimate expression of technology and innovative design, the FUTURA P.MAX series is a winning mix of efficiency and user-friendliness.

P.MAX is an expertly-crafted machine, created with attention to every detail for a tool that is able to guarantee maximum productivity and durability over time.

Available in 6 different versions

and configurable with numerous optional technical solutions, P.MAX is highly customizable to the machining needs of each production environment.

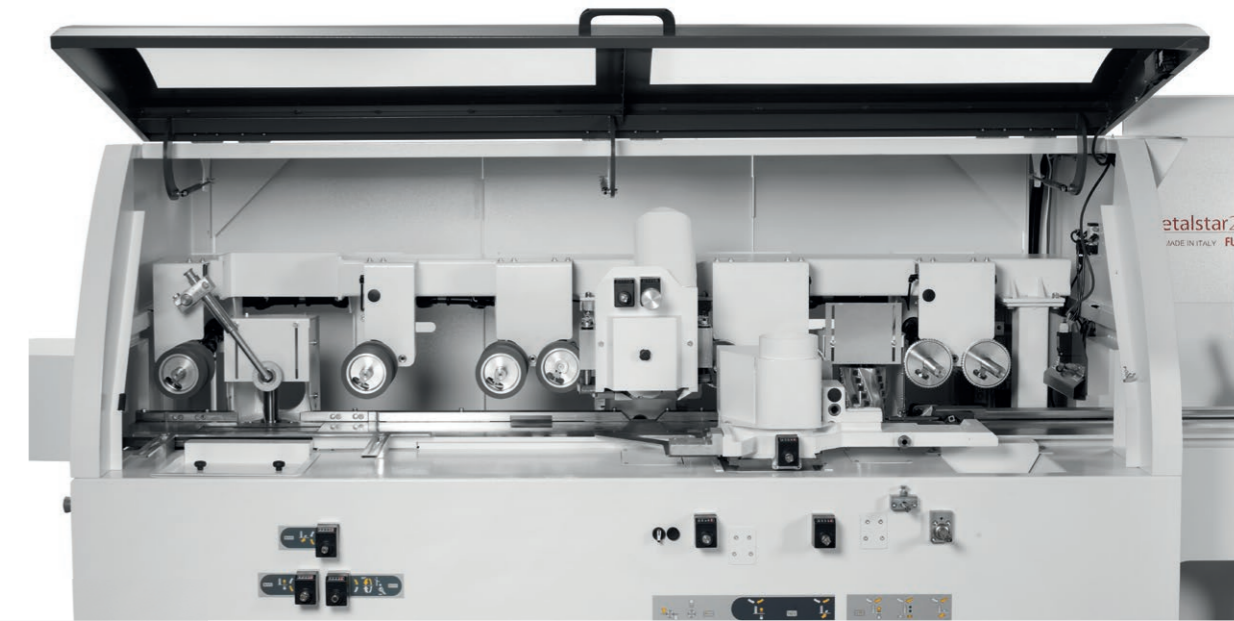
Metalstar2000

P.MAX

From sheet metal cutting to the finished product: all of this is
Made in Metalstar 2000

A revolutionary line with an innovative design

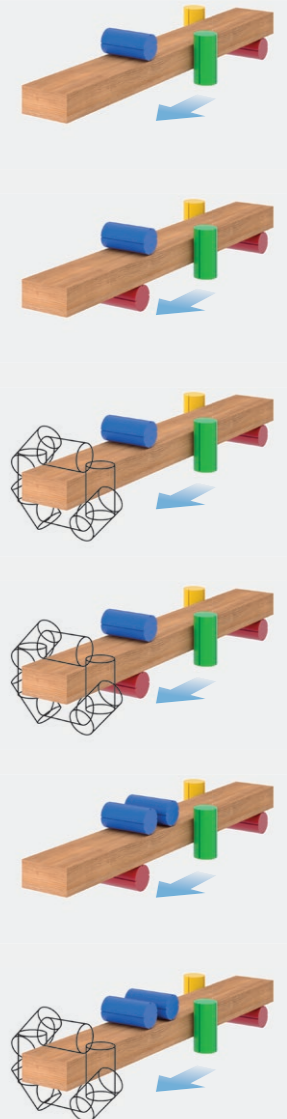
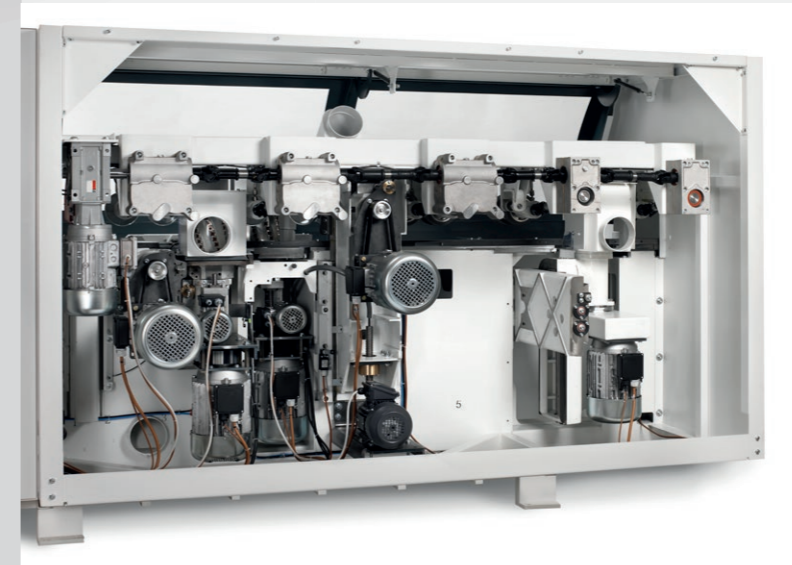
The result: fast operations, practicality and user-friendliness for a product that lasts over time.



P.MAX

Available in
6 different versions

P.MAX is the ideal solution even for the production of large batches that can be distributed over several shifts. Each operating unit is equipped with an independent motor so as to guarantee the optimal power for the different machining operations required.



P.MAX

General Characteristics

Excellent quality

New projects to keep up with the market demands and to supply machines with ever-increasing high performances. One of the primary benefits is its stout drive unit, the chain has been removed to make room for the gearbox, follow Hardox worktable and mobile console.

RESISTANCE ON OUR WORKTABLES

Hardox, with its robustness and its perfect adherence, guarantees excellent wear resistance. It is thanks to the use of top-of-the-range materials that we can offer our customers resistant worktables with very low risks of breakage.



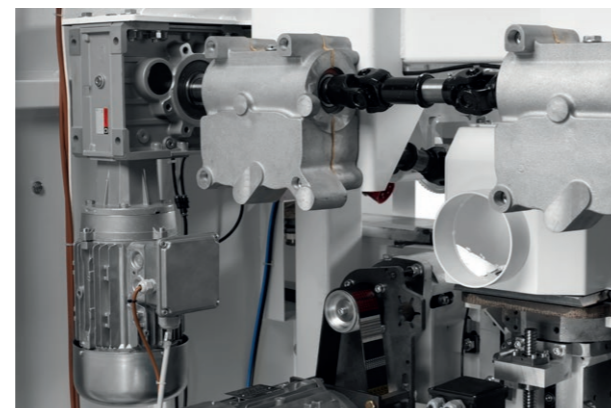
COMFORT

The new mobile console has been designed to facilitate the operator in the various daily operations to be carried out, from the machine set-up to the finished piece control.



INNOVATIVE ENERGY-SAVING SOLUTIONS

Orthogonal gearmotor for feeding pieces, guaranteeing reliability in the most severe conditions of use. High gear ratios allow high motor efficiency with low energy consumption.



▲ RELIABILITY OF THE FEED UNIT

The drive system consists of oil-bath gearboxes with a cardan-shaft drive to ensure a perfect finish without leaving vibrations on the wood. Extremely robust and durable unit even without maintenance.

COMPACT DRIVE SYSTEM

Thanks to the reduced thickness, these Poly-V belts are very flexible and can be suitable even for heavy-duty performances. Our pulleys are designed and manufactured with the utmost precision for a perfect fit with the belt grooves. An optimal & highly silent synergy that does not transmit vibrations.

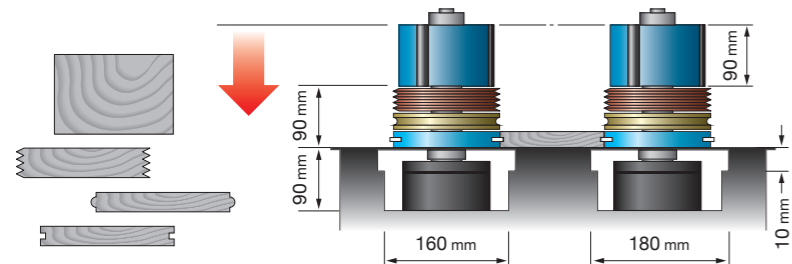
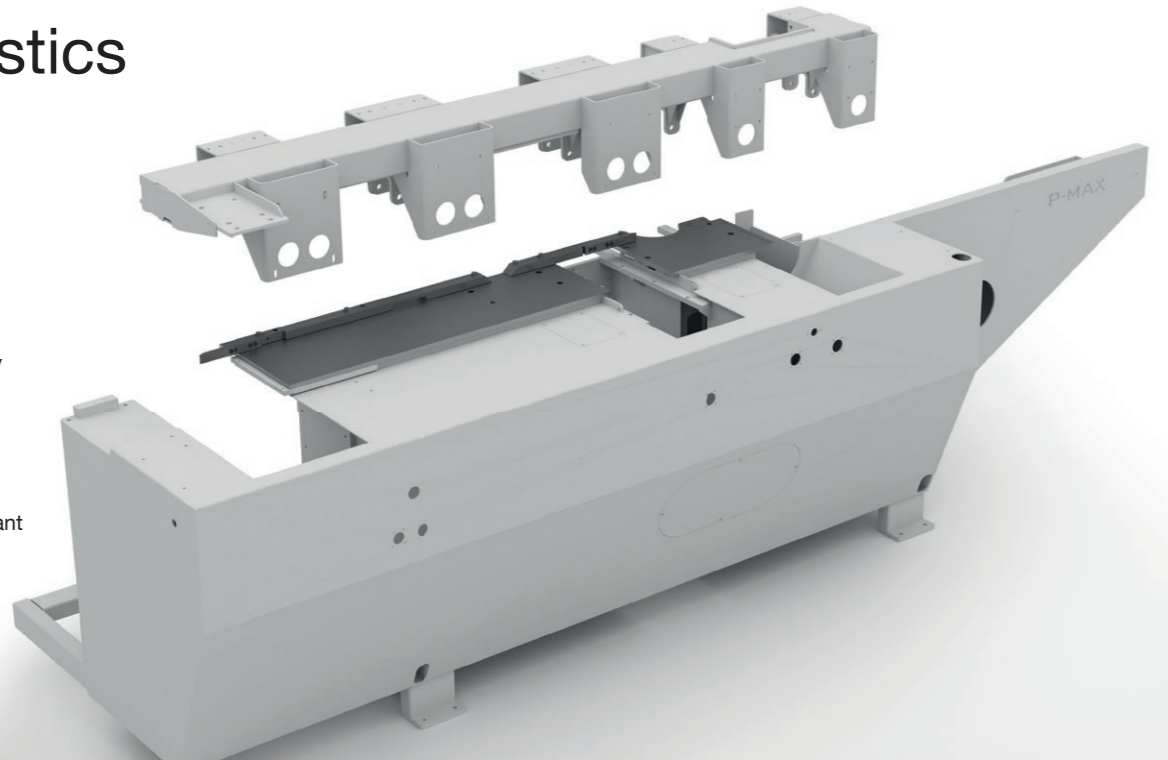


P.MAX

General Characteristics

MONOBLOC MACHINE BED

Machine bed and top beam designed to ensure high rigidity and stability of the machinery. Both are built with a monobloc iron structure, stabilized, sandblasted and painted with epoxy-polyester powder resistant to impact, light reflections and weather for durability.



PERFORMANCE

P.MAX can accommodate tools with a minimum diameter of 110mm and a maximum diameter of 200mm. The axial stroke of the vertical spindles is 90mm, allowing for the management of multiple profiles and quick operation changes. The maximum working sections are 240mm wide and 180mm high. The minimum working sections are 25mm wide (15mm opt) and 8mm high.

Optional accessories

In order to meet the varied market demands, we offer a number of smart options for rapid set-up focused on constant job changes.

THE BENEFIT OF AUTOMATICALLY MANAGING THE MAIN POSITIONINGS

Modern and efficient colour PLC with touch screen for intuitive and effective work set-up.

The control includes:

- manual, semi-automatic or automatic axis positioning
- possibility to save a large number of programs
- start of spindles and drive motors at the touch of a button
- tool data with automatic dimensional correction
- graphics by our staff with great attention to detail



MOBILE WORKING WIDTH

Useful accessory for customers who use raw material of different widths. The device automatically records the dimensions it will transmit to the PLC, which will then place the spindle in the correct position. The system is driven by a ball screw and can be switched off with a simple click.

QUALITY CONTROL

Mechanical quality control and testing of every manufactured product is an essential part of every order, guaranteeing high standards of quality and safety.

To avoid problems and complications during assembly, Metalstar has state-of-the-art machinery with sophisticated dimensional control instruments to check tolerances and critical heights.



3RD SPINDLE MOTORISATION AND ELECTRONIC DISPLAYS FOR WIDTH AND HEIGHT

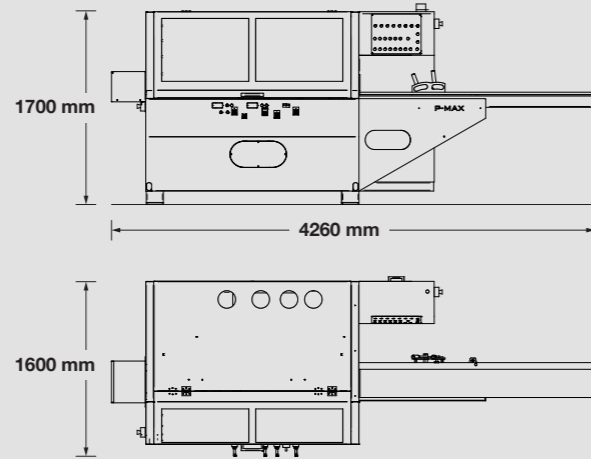
As an alternative to the PLC we propose an economical system to speed up the machine setting by means of 2 buttons, 1 for rapid movement of the spindle, the other for positioning to the nearest tenth of a millimetre.



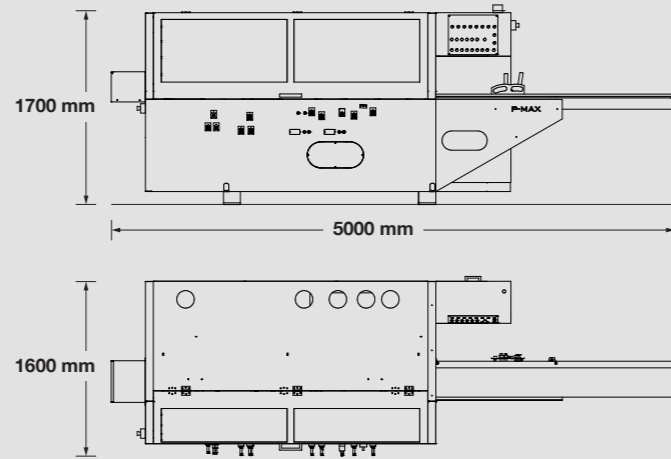
P.MAX

Technical Features

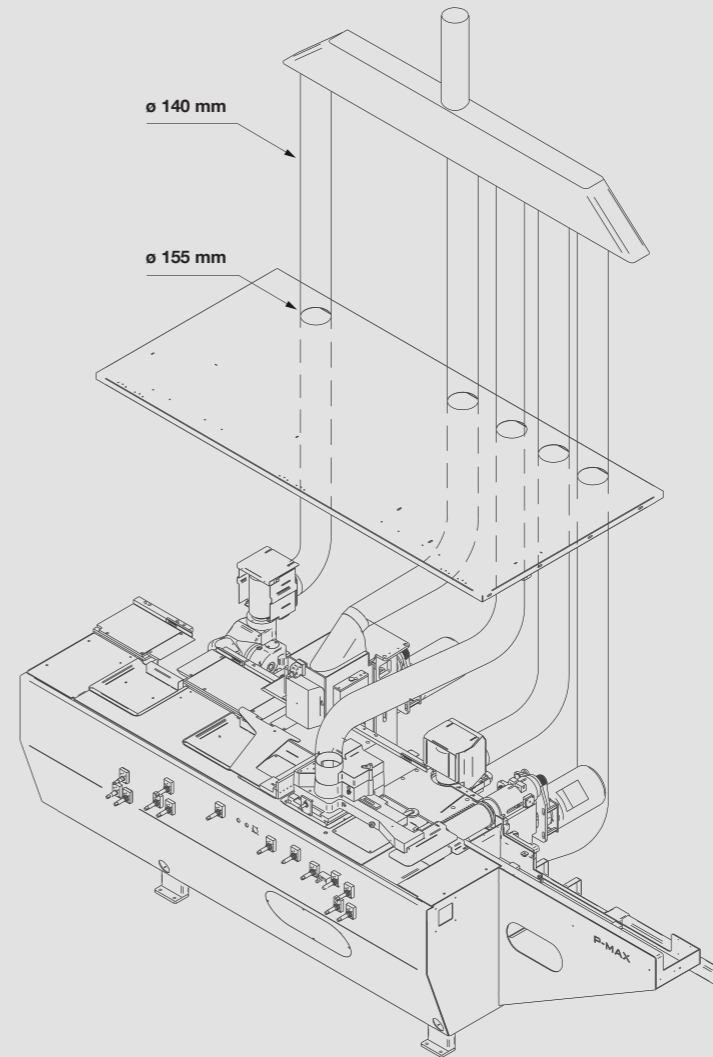
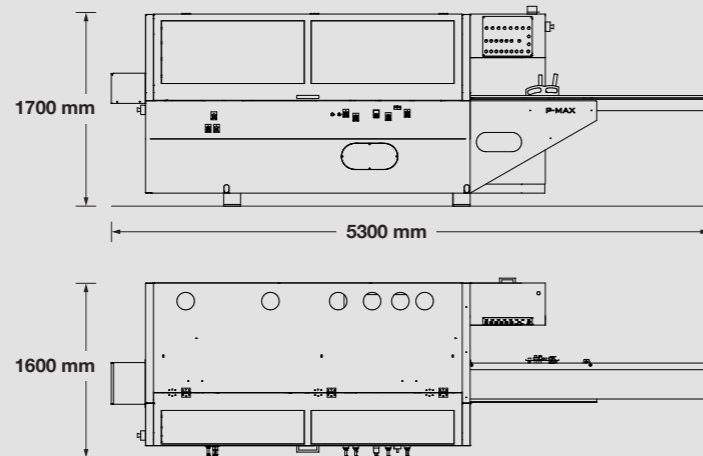
**P.MAX 4
P.MAX 4 + BOTTOM**



**P.MAX 4 + UNIVERSAL
P.MAX 4 + BOTTOM + UNIVERSAL
P.MAX 4 + TOP + BOTTOM**



P.MAX 4 + TOP + UNIVERSAL



Technical data

Planer spindle motor power (1st unit)	kW 4 (HP 5,5)
Right spindle motor power (2nd unit)	kW 4 (HP 5,5)
Left spindle motor power (3rd unit)	kW 4 (HP 5,5)
Top horizontal motor power (4th unit)	kW 5,5 (HP 7,5)
Bottom spindle motor power	kW 4 (HP 5,5)
Top spindle motor power	kW 4 (HP 5,5)
Universal head motor power	kW 4 (HP 5,5)
Feed motor power	kW 2,2 (HP 3)
Feed speed via inverter	4-30 mt/1'
Maximum working width (with tool diameter 125 mm)	240 mm
Minimum working width (with tool diameter 125 mm)	25 mm
Maximum working height (with tool diameter 125 mm)	180 mm
Minimum working height (with tool diameter 125 mm)	8 mm
Spindle speed	6000 g/1'
Shaft size	40 mm
Infeed table	2500 mm
Manual pump for table lubrication	standard
Pneumatic pre-planer roller ON-OFF on control panel	standard
Pneumatic pressure on drive units	standard

Metalstar2000



Metalstar 2000 S.r.l.

Via San Salvatore, 21
47924 Rimini (RN) - Italy
Tel. +39 0541 633022 - Fax +39 0541 731202
E-mail: commerciale@futura-woodmac.com
www.futura-woodmac.com

For demonstration purposes, some photos illustrate machines complete with accessories.
Metalstar 2000 reserves the right to change any specifications without giving prior notice.